



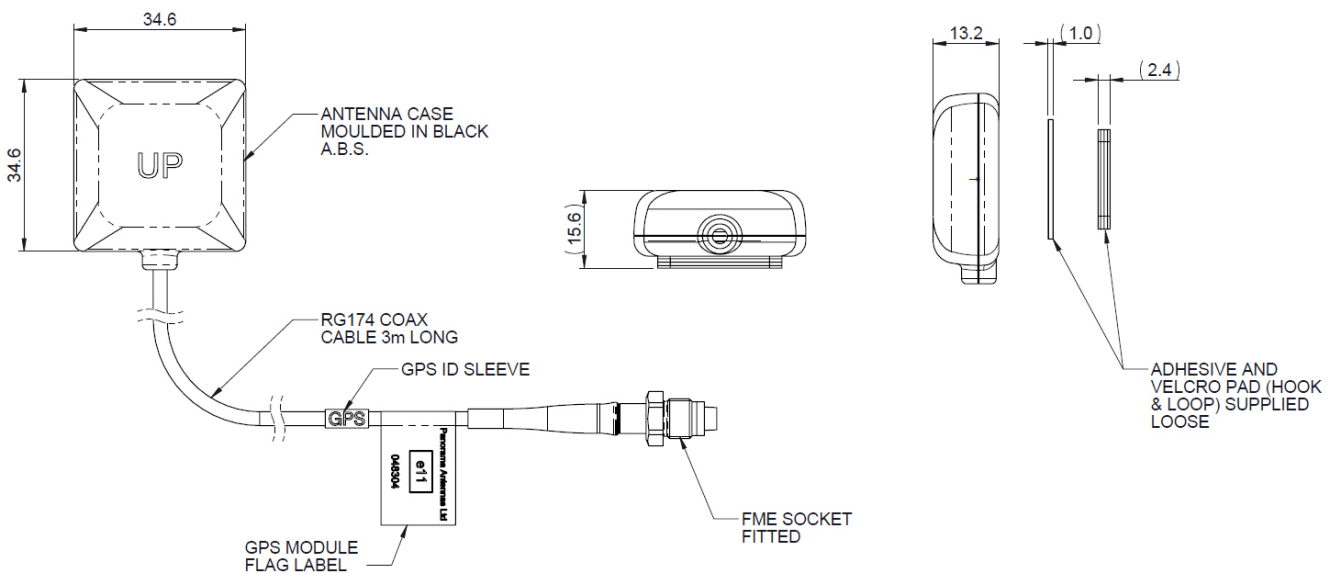
GPSSV-VAR

- Compact Internal/Covert GPS/GNSS Antenna
- 30dB gain LNA
- Adhesive pad and Hook/Loop Fixings Included

The GPSSV range offers excellent GPS/GNSS performance in a simple, compact package. The antenna is supplied with an adhesive pad for a secure installation and hook/loop pads for temporary fixing. A variety of cable lengths and connector types are available to suit most applications.

Technical Drawing

GPSSV-3F Shown



Part No.	GPSSV-3F	GPSSV-3SMCP	GPSSV-3SMAP
Electrical Data			
Frequency Range (MHz)	1562-1612		
VSWR	<2.0:1 @ 1575MHz ± 4MHz		
Gain: LNA	30dB		
Polarisation	Right Hand Circular		
Operating Voltage	3 - 5V DC (fed via coax)		
Current (Typical)	<20mA		
Impedance	50Ω		
GPS Approvals	EN 301 489-1 V1.8.1 (2008-04), EN 300 440-1 V1.6.1 (2010-08), EN60950-1		
Automotive Type Approval	E11 - 048304		
Mechanical Data			
Length	34.6 (1.36")		
Dimensions (mm)	Height	13.2 (0.5")	
	Width	34.6 (1.36")	
Operating Temp (°C)	-40°/+80°C (-40°/+176°F)		
Material	ABS		
Colour	Black		
Mounting Data			
Fixing	Adhesive pad/hook & loop		
Termination Data			
Type	RG174		
Diameter (mm)	2.5 (0.09")		
Length (m)	3 (9' 10")		
Termination	FME Socket	SMC Plug	SMA Plug

Typical E-Plane (GPS)

